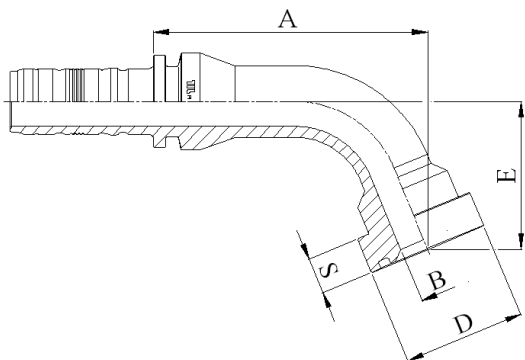


ORIGINAL EQUIPMENT CONNECTIONS

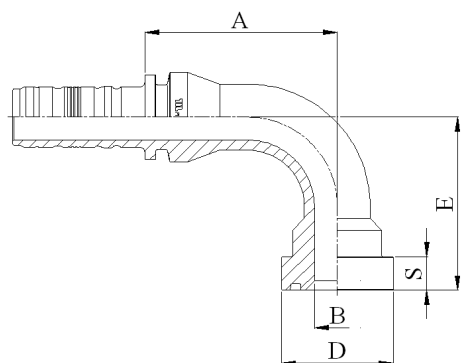
# M83971

67,5° SUPERCAT SERIES FLANGE



PART. REF.	HOSE BORE			Flange		DIMENSIONS mm				
	DN	Dash	inch			inch	B	A	D	E
M83971-12-12	19	- 12	3/4"	3/4"		16.0	100.0	41.5	53.0	14.3
M83971-12-16	19	- 12	3/4"	1"		19.5	100.5	47.7	54.0	14.3
M83971-16-16	25	- 16	1"	1"		19.5	107.0	47.7	58.0	14.3
M83971-16-20	25	- 16	1"	1.1/4"		26.0	109.0	54.0	62.0	14.3
M83971-20-20	31	- 20	1.1/4"	1.1/4"		26.0	123.0	54.0	62.0	14.3
M83971-20-24	31	- 20	1.1/4"	1.1/2"		32.0	117.5	63.7	71.5	14.3
M83971-24-24	38	- 24	1.1/2"	1.1/2"		32.0	131.0	63.7	72.0	14.3
M83971-32-32	51	- 32	2"	2"		42.0	181.5	79.3	99.0	14.3

FITTINGS 246



ORIGINAL EQUIPMENT CONNECTIONS

# M83991

90° SUPERCAT SERIES FLANGE

PART. REF.	HOSE BORE			Flange		DIMENSIONS mm				
	DN	Dash	inch			inch	B	A	D	E
M83991-12-12	19	- 12	3/4"	3/4"		16.0	76.0	41.5	68.5	14.3
M83991-12-16	19	- 12	3/4"	1"		19.5	76.0	47.7	69.5	14.3
M83991-16-16	25	- 16	1"	1"		19.5	82.0	47.7	73.5	14.3
M83991-16-20	25	- 16	1"	1.1/4"		26.0	82.0	54.0	78.5	14.3
M83991-20-20	31	- 20	1.1/4"	1.1/4"		26.0	94.0	54.0	82.0	14.3
M83991-20-24	31	- 20	1.1/4"	1.1/2"		32.0	85.0	63.7	92.0	14.3
M83991-24-24	38	- 24	1.1/2"	1.1/2"		32.0	98.0	63.7	96.0	14.3
M83991-24-32	38	- 24	1.1/2"	2"		42.0	98.0	79.3	112.0	14.3
M83991-32-32	51	- 32	2"	2"		42.0	136.0	79.3	133.5	14.3